

## ColorEdge CS230

Designed for entry-level users doing photo editing and other creative work, the CS230 offers professional features of other ColorEdge monitors like automatic colour adjustment with the built-in SelfCorrection sensor and ColorNavigator software.

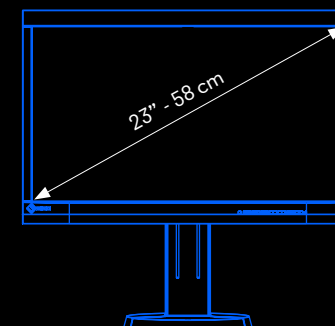
**Size:** 23" (58 cm)

**Resolution:** 1920x 1080 (16:9 aspect ratio)

**Pixel Density:** 96 ppi

**Colour:** DisplayPort: 1.07 billion (a palette of 278 trillion) DVI, HDMI: 16.77 million (a palette of 278 trillion)

**Warranty:** Five Year On-site

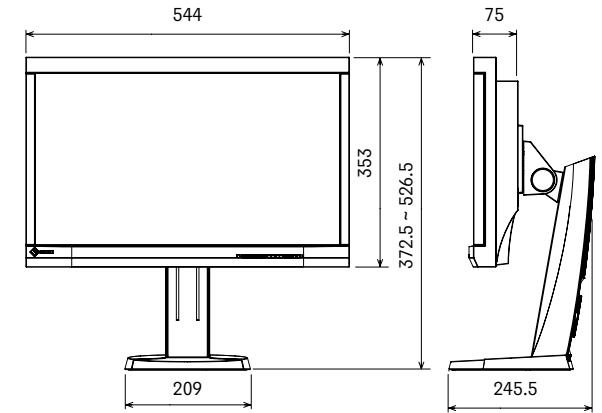


5 | Year Warranty  
★★★★★  
★★★★★



# ColorEdge CS230

Dimensions (Unit: mm)



## Panel

**Type:** IPS

**Backlight:** LED

**Size:** 23" / 58 cm

**Native Resolution:**  
1920 x 1080 (16:9 aspect ratio)

**Viewable Image Size (H x V):**  
509.2 x 286.4 mm

**Pixel Pitch:** 0.2652 x 0.2652 mm

**Pixel Density:** 96 ppi

**Greyscale Tones:** DisplayPort: 1024 tones  
(a palette of 65 thousand) DVI, HDMI: 256  
tones (a palette of 65 thousand)

**Display Colours:** DisplayPort: 1.07 billion  
(a palette of 278 trillion) DVI, HDMI: 16.77  
million (a palette of 278 trillion)

**Viewing Angles (H / V, Typical):** 178°, 178°

**Brightness (Typical):** 300 cd/m<sup>2</sup>

**Recommended Brightness for Calibration:**  
120 cd/m<sup>2</sup> or less

**Contrast Ratio (Typical):** 1000:1

**Response Time (Typical):** 10.5 ms (grey-to-grey)

## Video Signals

**Input Terminals:** DVI-I 29 pin (with HDCP),  
DisplayPort (with HDCP), HDMI (with HDCP)

**Digital Scanning Frequency (H / V):**  
DisplayPort, DVI: 26 - 68 kHz, 23.75 - 63 Hz  
(VGA Text: 69 - 71 Hz) HDMI: 15 - 68 kHz,  
23.75 - 61 Hz

**Analog Scanning Frequency (H / V):**  
26 - 68 kHz, 47.5 - 61 Hz

## USB

**Function:** 2 ports for monitor control  
2-port USB hub

**Standard:** USB 2.0

## Power

**Power Requirements:**  
AC 100 - 120 V / 200 - 240 V, 50 / 60 Hz

**Maximum Power Consumption:** 54 W

**Typical Power Consumption:** 21 W

**Power Save Mode:** Less than 0.5 W

**Standby Mode:** Less than 0.5 W

**Power Management:**  
Power Save (VESA DPM, DisplayPort  
Version 1.1a, and DVI DMPM)

## Features & Functions

**Brightness Stabilisation:** Yes

**Digital Uniformity Equaliser:** Yes

**Preset Modes:** Colour Mode (User1, User2,  
User3, Paper, sRGB, Calibration)

**Built-In Correction Sensor:** Yes

## Physical Specification

**Dimensions (Landscape, W x H x D):**  
544 x 372.5 - 526.5 x 245.5 mm

**Dimensions (Portrait, W x H x D):**  
353 x 563.5 - 627 x 245.5 mm

**Dimensions (Without Stand, W x H x D):**  
544 x 353 x 75 mm

**Net Weight:** 7.5 kg / 16.5 lbs

**Net Weight (Without Stand):** 4.8 kg / 10.6 lbs

**Height Adjustment Range:** 154 mm

**Tilt:** 30° Up, 0° Down

**Pivot:** 90°

**Swivel:** 344°

**Hole Spacing (VESA Standard):**  
100 x 100 mm

## Environmental Requirements

**Temperature:** 0 - 35°C

**Humidity (R.H., non condensing):** 20 - 80 %

## Certifications & Standards

(Please contact EIZO for the latest information)  
CUDO certified mark, TCO Displays 6.0,  
TUV/S, TUV/Ergonomics, TUV/GS, cTUVus,  
CE, RCM, CB, VCCI-B, FCC-B, Canadian  
ICES-003-B, RoHS, WEEE, EAC.

## Warranty

Five years on-site<sup>1,2</sup>

<sup>1</sup> Usage time is limited to  
30,000 hours.

<sup>2</sup> Free from bright sub-pixels for 6  
months from the date of purchase.  
With current LCD technology, a  
panel may contain a limited number  
of missing or flickering pixels.

## EIZO Limited

Stylus House London Road,  
Bracknell, Berkshire  
RG12 2UT, UK

### Website:

www.EIZOcolour.com

### Telephone:

+44 (0) 1344-317-480