



ColorEdge CG277

With 99% Adobe RGB colour space coverage, 10-bit simultaneous display, hardware calibration, this self-calibrating monitor is built to deliver optimal performance to professionals in printing, photography, and post production.

Size: 27" (68 cm)

Resolution: 2560 x 1440 (16:9 aspect ratio)

Pixel Density: 109 ppi

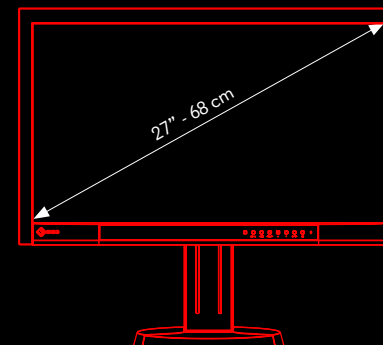
Colour: DisplayPort, HDMI: 1.07 billion (a palette of 278 trillion)

DVI: 16.77 million (a palette of 278 trillion)

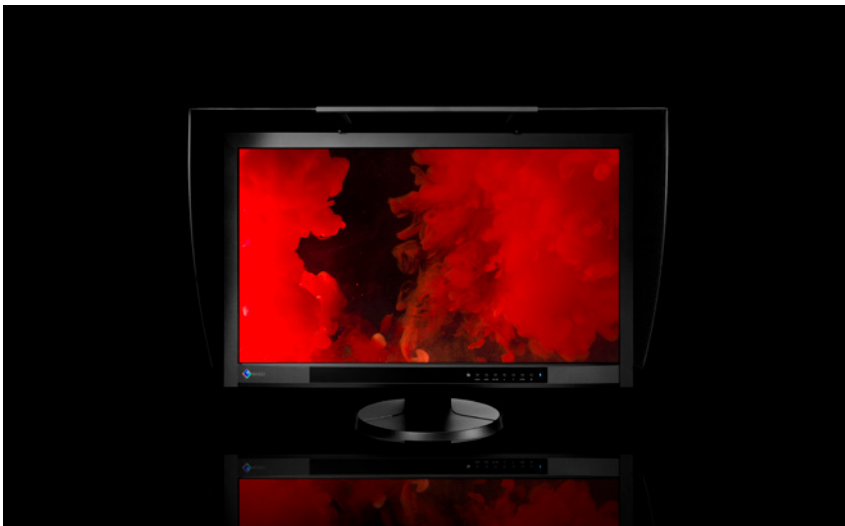
Calibration: Built-in Sensor

Warranty: Five Year On-site

CG277



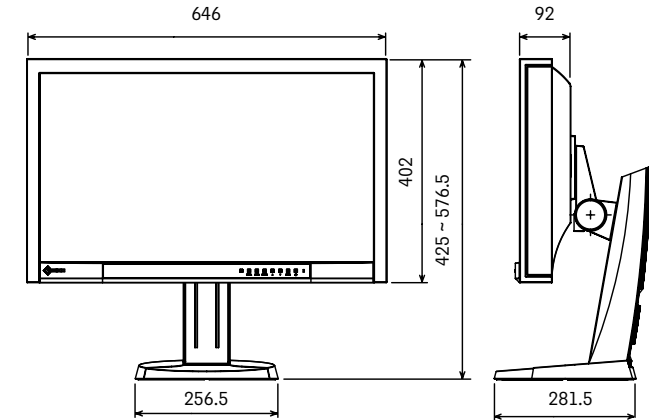
5 | Year Warranty
★★★★★



ColorEdge CG277



Dimensions (Unit: mm)



Panel

Type: IPS
Backlight: Wide-Gamut LED
Size: 27" / 68 cm
Native Resolution:
 2560 x 1440 (16:9 aspect ratio)
Viewable Image Size (H x V): 596.7 x 335.6 mm
Pixel Pitch: 0.2331 x 0.2331 mm
Pixel Density: 109 ppi
Greyscale Tones: DisplayPort, HDMI: 1024 tones (a palette of 65 thousand) DVI: 256 tones (a palette of 65 thousand)
Display Colours: DisplayPort, HDMI: 1.07 billion (a palette of 278 trillion) DVI: 16.77 million (a palette of 278 trillion)
Viewing Angles (H / V, Typical): 178°, 178°
Brightness (Typical): 300 cd/m²
Recommended Brightness for Calibration:
 120 cd/m² or less
Contrast Ratio (Typical): 1000:1
Response Time (Typical): 6 ms (grey-to-grey)
Wide Gamut Coverage (Typical):
 Adobe RGB: 99%, DCI-P3: 93%

Video Signals

Input Terminals: DVI-D 24 pin (with HDCP), DisplayPort (with HDCP), HDMI (with HDCP, Deep Colour)
Digital Scanning Frequency (H / V):
 DisplayPort, DVI: 26 - 89 kHz, 23.75 - 63 Hz (VGA Text: 69 - 71 Hz) HDMI: 15 - 78 kHz, 23.75 - 61 Hz

USB

Function: 2 ports for monitor control
 2-port USB hub
Standard: USB 2.0

Power

Power Requirements:
 AC 100 - 120 V / 200 - 240 V, 50 / 60 Hz
Maximum Power Consumption: 99 W
Typical Power Consumption: 43 W
Power Save Mode: Less than 0.7 W
Standby Mode: Less than 0.5 W
Power Management:
 Power Save (DisplayPort: Rev. 1.1a, DVI: DVI DMPM)

Features & Functions

Brightness Stabilisation: Yes
Digital Uniformity Equaliser: Yes
Preset Modes: Colour Mode (Custom, Adobe RGB, sRGB, REC709, EBU, SMPTE-C, DCI, Calibration)
Built-In Calibration Sensor: Yes

Physical Specification

Dimensions (Landscape, W x H x D):
 646 x 425 - 576.5 x 281.5 mm
Dimensions (Portrait, W x H x D):
 402 x 671 - 704 x 281.5 mm
Dimensions (Without Stand, W x H x D):
 646 x 402 x 92 mm
Dimensions (Landscape with Hood, W x H x D):
 653 x 432.5 - 584 x 379.5 mm
Dimensions (Portrait with Hood, W x H x D):
 410.5 x 679 - 712 x 379.5 mm
Net Weight: 12.8 kg / 28 lbs
Net Weight (Without Stand): 8.8 kg / 19.4 lbs
Net Weight (With Hood): 13.8 kg / 30.4 lbs
Height Adjustment Range: 151.5 mm
Tilt: 25° Up, 0° Down
Pivot: 90°
Swivel: 344°
Hole Spacing (VESA Standard):
 100 x 100 mm

Environmental Requirements

Temperature: 0 - 35°C
Humidity (R.H., non condensing): 20 - 80 %

Certifications & Standards

(Please contact EIZO for the latest information)
 CB, CE, TUV/GS, cTUVus, FCC-B, Canadian ICES-003-B, VCCI-B, TUV/Ergonomics, RCM, EAC, RoHS, WEEE, CUDO certified mark.

Warranty

Five years on-site^{1,2,3}

¹ Usage time is limited to 30,000 hours.

² Brightness of the CG Series is warranted for up to 10,000 hours if it is used within the recommended brightness of 120 cd/m² or less and colour temperature between 5000 - 6500 K.

³ Free from bright sub-pixels for 6 months from the date of purchase. With current LCD technology, a panel may contain a limited number of missing or flickering pixels.

EIZO Limited

Stylus House London Road,
 Bracknell, Berkshire
 RG12 2UT, UK

Website:

www.EIZOcolour.com

Telephone:

+44 (0) 1344-317-480