



## ColorEdge CG2730

Express your boundless creativity with a spacious screen and optimal colour reproduction.

This spacious 27-inch monitor gives your creative passion the room to flourish in professional photography, design, print, and post production. It features a built-in self calibration sensor for hassle-free monitor maintenance, vivid colours reproduced to industry standards, and exceptionally high contrast for producing true blacks.

**Size:** 27.0" (68.5cm)

**Resolution:** 2560 x 1440 (16:9 aspect ratio)

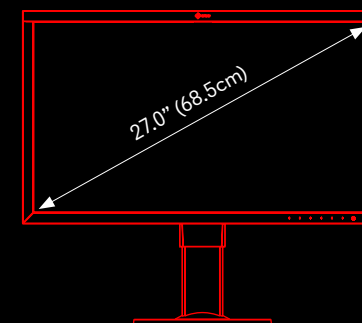
**Pixel Density:** 109ppi

**Colour:** DisplayPort, HDMI: 1.07 billion from a palette of 278 trillion  
DVI: 16.77 million from a palette of 278 trillion

**Calibration:** Built-in Sensor

**Warranty:** Five Year On-site

CG2730

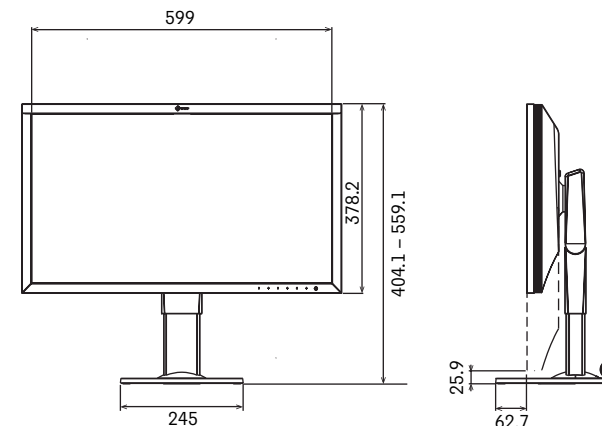


5 | Year Warranty  
★★★★★



# ColorEdge CG2730

Dimensions (Unit: mm)



## Panel

**Type:** IPS

**Backlight:** Wide-Gamut LED

**Size:** 27.0" / 68.5 cm

**Native Resolution:** 2560 x 1440  
(16:9 aspect ratio)

**Viewable Image Size (H x V):**  
596.7 x 335.6 mm

**Pixel Pitch:** 0.233 x 0.233 mm

**Pixel Density:** 109ppi

**Greyscale Tones:** DisplayPort, HDMI: 1,024 tones (a palette of 65 thousand tones), DVI: 256 tones (a palette of 65 thousand tones)

**Display Colours:** DisplayPort, HDMI: 1.07 billion from a palette of 278 trillion, DVI: 16.77 million from a palette of 278 trillion

**Viewing Angles (H / V, typical):** 178°, 178°

**Brightness (typical):** 350 cd/m<sup>2</sup>

**Recommended Brightness for Calibration:**  
120 cd/m<sup>2</sup> or less

**Contrast Ratio (typical):** 1500:1

**Response Time (typical):**  
13 ms (grey-to-grey)

**Wide Gamut Coverage (typical):**  
Adobe RGB: 99%, DCI-P3: 98%

## Video Signals

**Input Terminals:** DVI-D 24 pin (with HDCP), DisplayPort (with HDCP), HDMI (with HDCP, Deep Colour)

**Digital Scanning Frequency (H / V):**  
DisplayPort, DVI: 26 - 89 kHz, 23 - 61 Hz  
(VGA Text: 69 - 71 Hz), HDMI: 15 - 89 kHz, 23 - 61 Hz

## USB

**Function:** 2 ports for monitor control  
3-port USB hub

**Standard:** USB 3.0

## Power

**Power Requirements:** AC 100 - 240 V, 50 / 60 Hz

**Maximum Power Consumption:** 95 W

**Typical Power Consumption:** 33 W

**Power Save Mode:** Less than 0.6 W

**Standby Mode:** Less than 0.6 W

**Power Management:** Power Save  
(DisplayPort Version 1.2a, DVI DMPM)

## Features & Functions

**Brightness Stabilisation:** Yes

**Digital Uniformity Equaliser:** Yes

**Preset Modes:** Colour Mode (Custom, Adobe RGB, sRGB, Calibration)

**OSD Languages:** English, German, French, Italian, Japanese, Simplified Chinese, Spanish, Swedish, Traditional Chinese

**Built-In Calibration Sensor:** Yes

## Physical Specification

**Dimensions (Landscape, W x H x D):**

638 x 404.1 - 559.1 x 245 mm

**Dimensions (Portrait, W x H x D):**

378.2 x 649 - 689 x 245 mm

**Dimensions (Without Stand, W x H x D):**

638 x 378.2 x 64 mm

**Dimensions (Landscape with Hood, W x H x D):** 657.4 x 413.8 - 568.8 x 336 mm

**Net Weight:** 8.9 kg / 19.6 lbs

**Net Weight (Without Stand):** 6.1 kg / 13.4 lbs

**Net Weight (With Hood):** 9.5 kg / 20.9 lbs

**Height Adjustment Range:** 155 mm

**Tilt:** 35° Up, 5° Down

**Swivel:** 344°

**Pivot:** 90°

**Hole Spacing (VESA Standard):** 100 x 100 mm

## Environmental Requirements

**Operating Temperature:** 0 - 35 °C

**Operating Humidity (R.H., non condensing):** 20 - 80 %

## Certifications & Standards

(Please contact EIZO for the latest information.)

CB, TUV/GS, CE, cTUVus, FCC-B, CAN ICES-3 (B), VCCI-B, TUV/Ergonomics, TUV/Colour Accuracy (Quick Stability), RCM, EAC, RoHS, WEEE

## Warranty

Five years on-site<sup>1,2,3</sup>

<sup>1</sup> Usage time is limited to 30,000 hours.

<sup>2</sup> Brightness of the CG Series is warranted for up to 10,000 hours if it is used within the recommended brightness of 120 cd/m<sup>2</sup> or less and colour temperature between 5000 - 6500 K.

<sup>3</sup> Free from bright sub-pixels for 6 months from the date of purchase. With current LCD technology, a panel may contain a limited number of missing or flickering pixels.

## EIZO Limited

Stylus House London Road,  
Bracknell, Berkshire  
RG12 2UT, UK

### Website:

www.EIZOcolour.com

### Telephone:

+44 (0) 1344-317-480